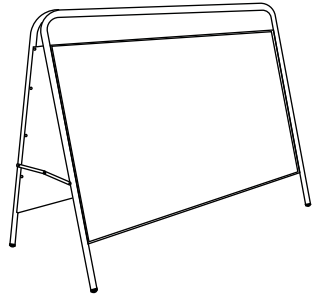


1. GRAPHIC + ANTIREFLECTION PROTECTOR PLACEMENT



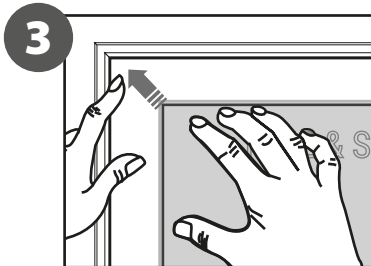
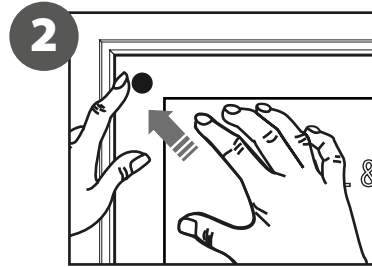
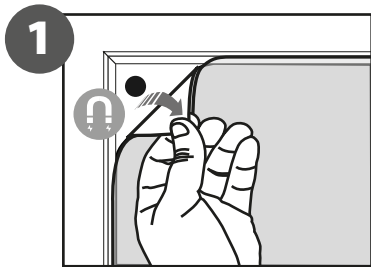
 CONTENT



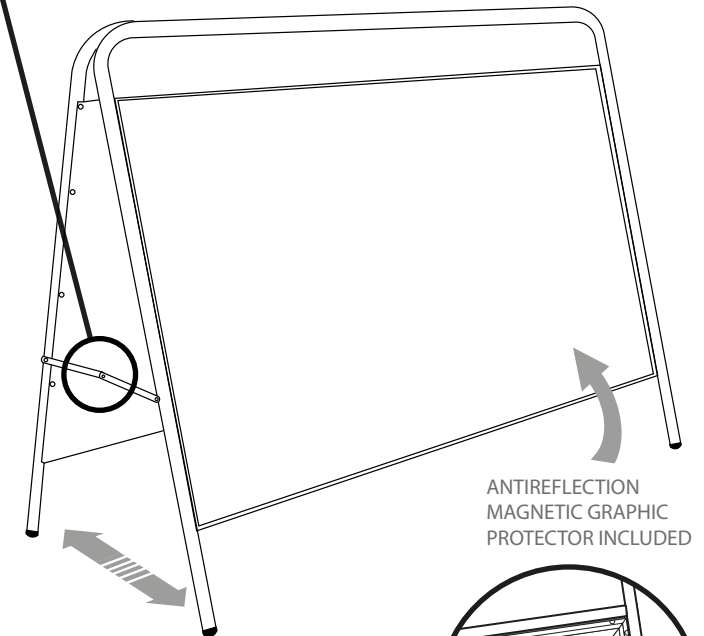
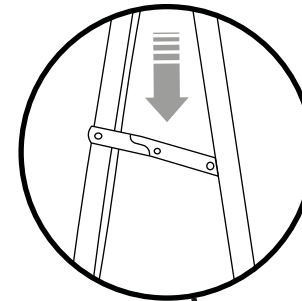
Open and check the content of the boxes and take out all the pieces carefully.

For setting-up the Sidewalk Board, you must place its graphics (supplied separately) to the Frame following the **next steps** describe below.

GRAPHIC ATTACHMENT **BY MAGNETIC PROTECTOR**



2. SET UP SIDEWALK BOARD STRUCTURE



ANTIREFLECTION
MAGNETIC GRAPHIC
PROTECTOR INCLUDED

